

### Nominal Voltage(V)

12V

### Nominal Capacity

100 hour rate (1.103A to 10.8V)	110.3Ah
20 hour rate (5.25A to 10.5V)	105Ah
10 hour rate (9.98A to 10.5V)	97.8Ah
5 hour rate (17.85A to 10.2V)	89.3Ah

### Weight

Approx. 31.5kg(69.3Lbs.)

### Internal Resistance (at 1KHz)

Approx. 4.5mΩ

### Cold Cranking Amps(CCA) (-17.8°C)

850A

### Marine Cranking Amps(MCA) (0°C)

1065A

### Reserve Capacity(RC) (25°C)

25A to 10.50V 205min

### Charging Methods at 25°C(77°F)

Cycle use:

Charging Voltage 13.8 to 14.6V

Coefficient -5.0mV/°C/cell

Recommended Charge Current : 31.5A

Standby use:

Float Charging Voltage 13.4 to 13.6V

Coefficient -3.0mV/°C/cell

### Operating Temperature Range

Charge -15°C(5°F) to 40°C(104°F)

Discharge -15°C(5°F) to 50°C(122°F)

Storage -15°C(5°F) to 40°C(104°F)

### Charge Retention (shelf life) at 20°C(68°F)

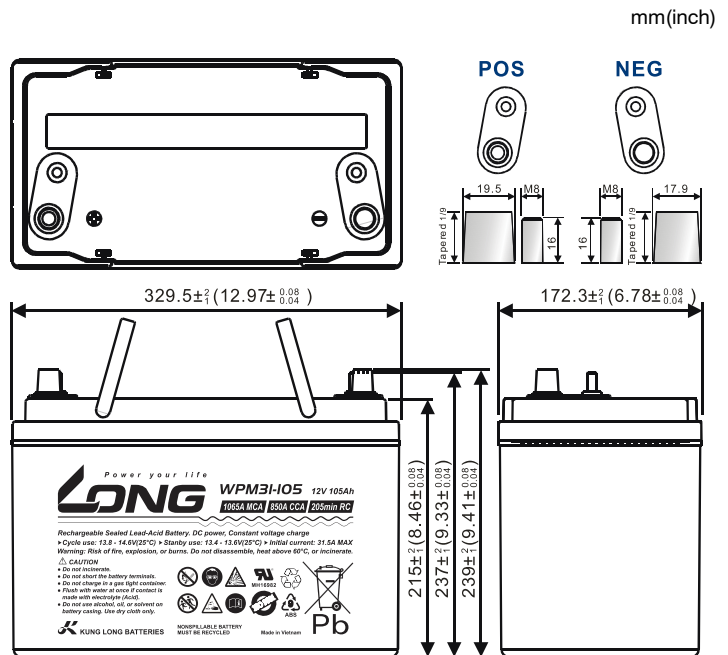
1 month 98%

3 month 94%

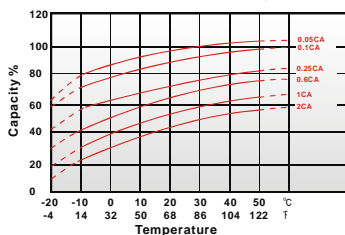
6 month 85%

### Case Material

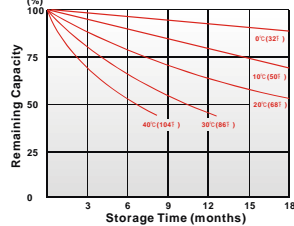
ABS UL94 HB



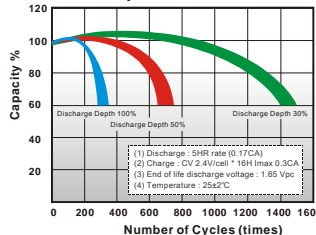
Effect of Temperature on Capacity 25°C(77°F)



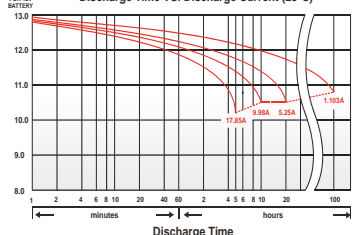
Capacity Retention Characteristic



Cycle Service Life



Discharge Time VS. Discharge Current (25°C)



280423-1A-VNM0453