

## WP5-12 12Volt 5Ah

### Specifications

Nominal Voltage(V) **12V**

#### Nominal Capacity

|              |                    |         |
|--------------|--------------------|---------|
| 20 hour rate | (0.25A to 10.50V)  | 5Ah     |
| 10 hour rate | (0.475A to 10.50V) | 4.75Ah  |
| 5 hour rate  | (0.85A to 10.20V)  | 4.25Ah  |
| 1 C          | (5A to 9.60V)      | 2.833Ah |
| 3 C          | (15A to 9.60V)     | 2.0Ah   |

Weight **Approx. 1.9kg(4.18Lbs.)**

Internal Resistance (at 1KHz) **Approx. 19 mΩ**

Maximum Discharge Current for 5 seconds: **75A**

#### Charging Methods at 25 (77 )

|                            |                      |
|----------------------------|----------------------|
| <b>Cycle use:</b>          |                      |
| Charging Voltage           | <b>14.4 to 15.0V</b> |
| Coefficient                | <b>-5.0mV/ /cell</b> |
| Maximum Charging Current : | <b>1.5A</b>          |
| <b>Standby use:</b>        |                      |
| Float Charging Voltage     | <b>13.5 to 13.8V</b> |
| Coefficient                | <b>-3.0mV/ /cell</b> |

Design Life **5 years**

#### Operating Temperature Range

|           |                              |
|-----------|------------------------------|
| Charge    | <b>-15 (5 ) to 40 (104 )</b> |
| Discharge | <b>-15 (5 ) to 50 (122 )</b> |
| Storage   | <b>-15 (5 ) to 40 (104 )</b> |

#### Charge Retention (shelf life) at 20 (68 )

|         |            |
|---------|------------|
| 1 month | <b>92%</b> |
| 3 month | <b>90%</b> |
| 6 month | <b>80%</b> |

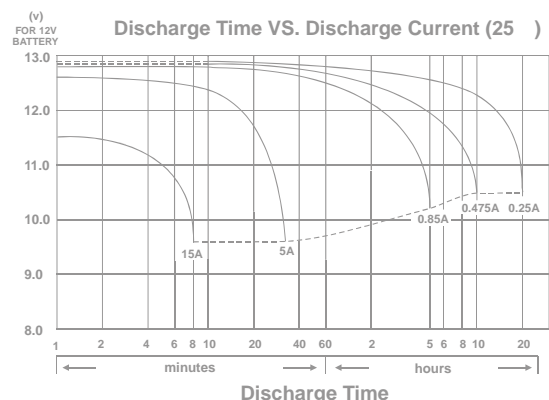
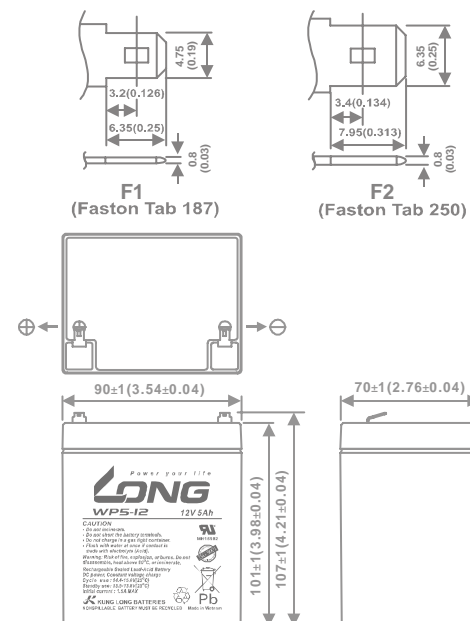
Case Material **ABS UL94 HB**

Option: Flammability resistance of (UL94 V-0)

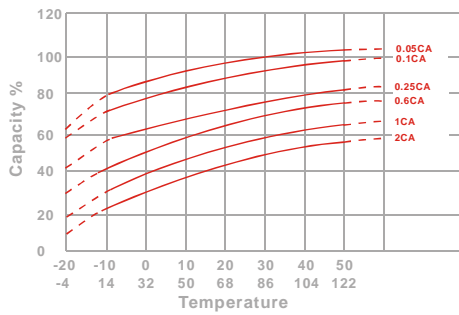
Terminal **F1 or F2 (Faston Tab 187 or 250)**



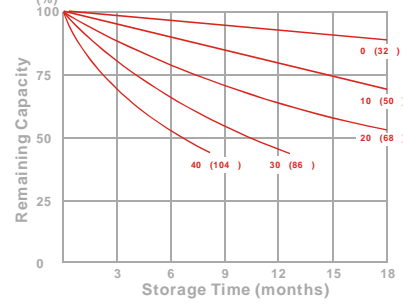
### Dimensions mm(inch)



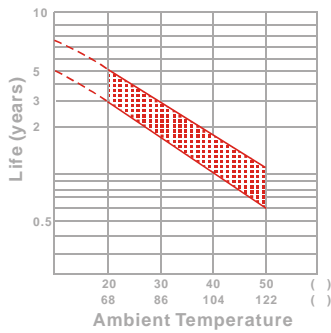
Effect of Temperature on Capacity 25 (77 )



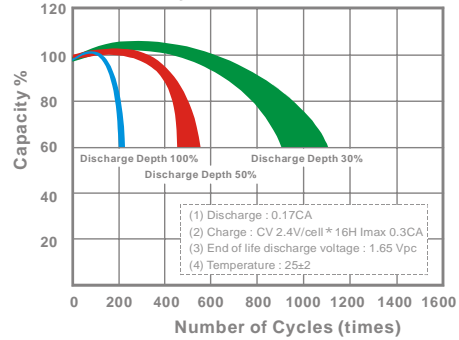
Capacity Retention Characteristic



Trickle (or float) Service Life



Cycle Service Life



## - PERFORMANCE DATA

Discharge Rates in Watts to Various End Voltages at 25 (77 )

| End Voltage |     | 1.85V | 1.80V | 1.75V | 1.70V | 1.67V | 1.65V | 1.60V |
|-------------|-----|-------|-------|-------|-------|-------|-------|-------|
| Time        |     |       |       |       |       |       |       |       |
| 5           | min | 36.3  | 39.5  | 41.5  | 43.5  | 44.3  | 45.5  | 47.0  |
| 10          | min | 25.7  | 27.7  | 29.2  | 30.2  | 30.7  | 31.3  | 32.3  |
| 15          | min | 19.7  | 21.2  | 21.8  | 22.5  | 22.8  | 23.2  | 23.7  |
| 30          | min | 11.2  | 11.7  | 12.1  | 12.5  | 12.7  | 12.8  | 12.9  |
| 60          | min | 5.95  | 6.27  | 6.47  | 6.70  | 6.82  | 6.93  | 7.07  |
| 120         | min | 3.13  | 3.38  | 3.53  | 3.65  | 3.72  | 3.80  | 3.92  |
| 180         | min | 2.53  | 2.72  | 2.85  | 2.97  | 3.02  | 3.07  | 3.15  |
| 240         | min | 2.02  | 2.15  | 2.27  | 2.33  | 2.37  | 2.40  | 2.45  |
| 300         | min | 1.73  | 1.87  | 1.95  | 1.98  | 2.00  | 2.02  | 2.05  |
| 600         | min | 1.01  | 1.09  | 1.15  | 1.17  | 1.18  | 1.19  | 1.21  |
| 1200        | min | 0.530 | 0.572 | 0.603 | 0.615 | 0.620 | 0.625 | 0.633 |

- Discharge Rates in Amperes to Various End Voltages at 25 (77 )

| End Voltage |     | 1.85V | 1.80V | 1.75V | 1.70V | 1.67V | 1.65V | 1.60V |
|-------------|-----|-------|-------|-------|-------|-------|-------|-------|
| Time        |     |       |       |       |       |       |       |       |
| 5           | min | 17.8  | 21.7  | 23.9  | 25.8  | 26.4  | 27.0  | 27.8  |
| 10          | min | 13.2  | 14.8  | 15.7  | 16.2  | 16.6  | 16.9  | 17.3  |
| 15          | min | 9.92  | 10.5  | 10.9  | 11.1  | 11.2  | 11.3  | 11.5  |
| 30          | min | 5.84  | 6.15  | 6.26  | 6.38  | 6.42  | 6.47  | 6.55  |
| 60          | min | 3.04  | 3.20  | 3.38  | 3.46  | 3.49  | 3.53  | 3.59  |
| 120         | min | 1.58  | 1.70  | 1.79  | 1.87  | 1.91  | 1.94  | 1.99  |
| 180         | min | 1.27  | 1.35  | 1.41  | 1.47  | 1.49  | 1.52  | 1.55  |
| 240         | min | 1.00  | 1.07  | 1.11  | 1.15  | 1.16  | 1.18  | 1.21  |
| 300         | min | 0.851 | 0.898 | 0.919 | 0.942 | 0.953 | 0.962 | 0.978 |
| 600         | min | 0.497 | 0.506 | 0.514 | 0.521 | 0.524 | 0.529 | 0.535 |
| 1200        | min | 0.268 | 0.274 | 0.279 | 0.284 | 0.286 | 0.287 | 0.291 |

All data on the spec. sheet is an average value:

The tolerance range : X<6min(+15%~-15%), 6min X<10min(+12%~-12%),10min X < 60min(+8%~-8%), X 60min(+5%~-5%)

061217-1A-VNM0280



CÔNG TY TNHH LELONG VIỆT NAM

40 Bà Chánh Thâu, KP2, Thị Trấn Bến Lức Huyện Bến Lức, Tỉnh Long An  
 Cụm Công Nghiệp Đức Mỹ, Xã Đức Hòa Đông, Huyện Đức Hòa, Tỉnh Long An

TEL:+84-272-3872213 FAX:+84-272-3872350  
 TEL:+84-272-3779666 FAX:+84-272-3779476